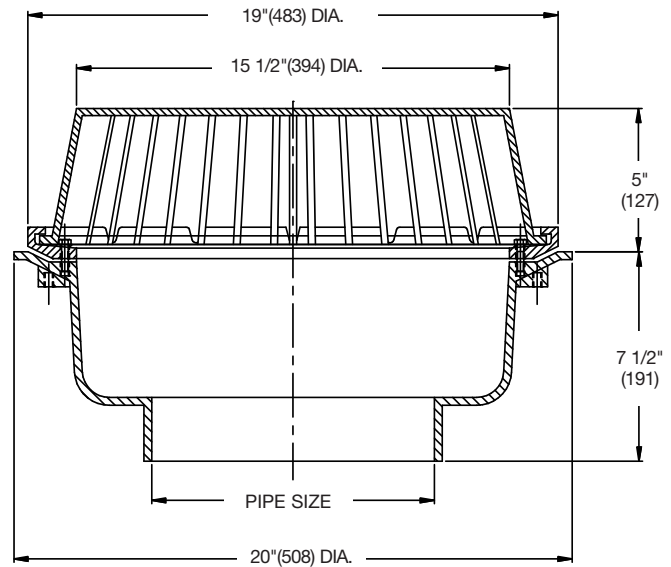


## Specialty Roof Drains

### RD-500 Super Flow Roof Drain

Model Number	Outlet Size	WT., lbs.	List Price
RD-510, 12	10", 12"	52	\$2,149.50

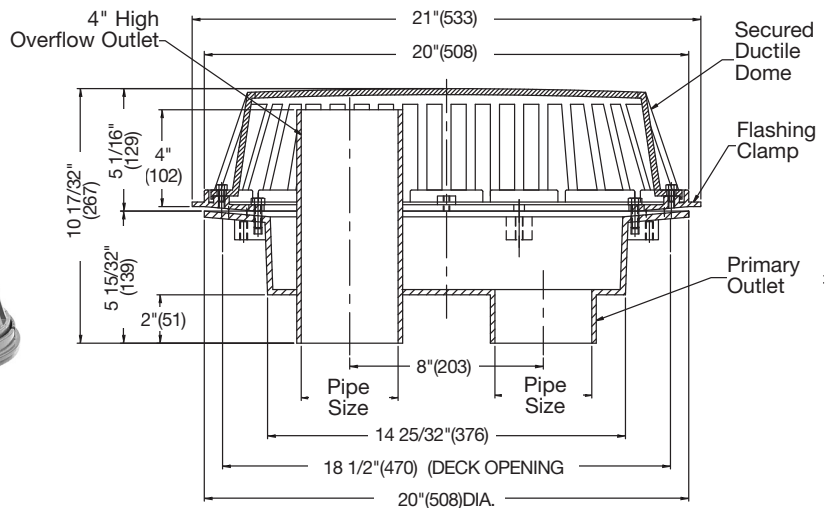
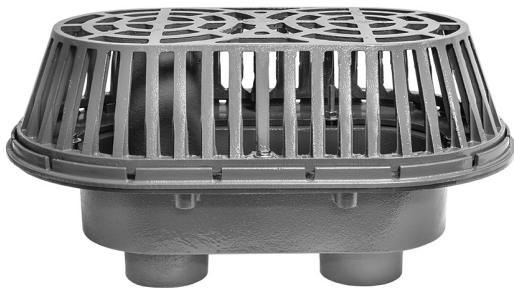


#### Options for RD-500 Series:

Suffix	Description	List Price
-D	Underdeck Clamp	\$240.50
-F	Deck Flange/Adj. Extension	659.50
-L	Vandal Proof Dome	123.50
-R	2" External Water Dam	230.50
-W	2" Internal Water Dam	423.00

### RD-700 Dual Outlet Roof Drain/Overflow

Model Number	Outlet Size	WT., lbs.	List Price
RD-703, 4	3,4"	49	\$2,169.50
RD-705, 6	5,6"	49	2,602.50



#### Options for RD-700 Series:

Suffix	Description	List Price
-CT	Overflow Through Dome	No Add
-D	Underdeck Clamp	\$247.00
-F	Deck Flange/Adj. Extension	442.00
-GSS	4" High SS Gravel Guard	882.50
-K80	Aluminum Dome	No Add
-K83	SS Mesh Covered Dome	519.00
-L	Vandal Proof Dome	117.00
-W2	2" High Overflow	No Add

RD-700-CT

